

Morini[®] CM 84E



Technical Data

Calibre:	.22 l.r.
Weight:	1240 g
Total Length:	495 mm
Total Height:	150 mm
Total Width:	70 mm
Length of Sight Line:	From 426 mm to 331 mm
Barrel Length:	290 mm
Action:	Martini System
Trigger:	Electronic
Trigger Weight:	0 g - 900 g
Trigger:	Mounted on Micro-Roller Bearing
Voltage:	15 V
Battery Life:	Approximately 5000 Firings
Sight:	3.5 - 4.0 - 4.5 - 5.0 - 5.5 - 6.0 mm
Rearsight Aperture:	Micrometrically Adjustable
Grips:	Adjustable/Fixed - Left/Right

Morini Competition Arm S.A.

Via ai Gelsi 11

CH - 6930 - Bedano - Switzerland

Tel. : +41 91 - 9352230 - Fax : +41 91 - 9352231 - www.morini.ch - morini@morini.ch

Attention:

Before using your Morini CM 84E free pistol, please read this handbook carefully and acquaint yourself with its proper functioning. Take care to handle the pistol carefully so as not to be a danger to yourself or other people, safe handling is therefore ESSENTIAL. Always handle the pistol as though it is loaded and take proper safety precautions at all times. Any changes to the pistol using non-original MORINI spare parts, the use of unnecessary force while stripping down the pistol or the presence of corrosion may adversely influence safety and the functioning of the pistol. The manufacturers, MORINI, are not responsible for damage or injuries caused as a result of the above and are absolved of any obligations under their Warranty in such cases. It is strongly recommended that the pistol is regularly maintained by an authorised MORINI gunsmith or agent to ensure proper functioning and that safety features are maintained in good, working order.

Dear shooting friend,

You are now in possession of a Free Pistol Model **Morini CM 84E**, manufactured in Switzerland. **Morini Competition Arm S.A.** placed in Bedano (Switzerland) produces precision target pistols, suitable for top level competitions. Modern design principles combined with the use of the best available materials, absolute precision and attention to detail in the manufacturing of all Morini products assures satisfaction in functioning and almost unlimited durability of these pistols, under normal usage. The pistol also features a very sophisticated electronic trigger mechanism, with moving parts mounted on micro-roller bearings. Some of the worlds most experienced shooters co-operated and co-operate with Morini, helping to combine engineering design excellence, reliable functioning and accuracy with excellent balance and handling. **Morini Competition Arm S.A.** is also the master of producing excellent anatomical target grips for a wide range of pistols, like the Compressed Air Pistol **Morini CM 162EI** and **CM 162MI** and the Standard Pistol **Morini CM 22M** and thus the excellence in design, reliable functioning and high quality of this pistol is also complimented by the use of these well known grips, made of fine quality walnut timber.

At this point we would like to wish you good shooting.

Warranty

The free pistol **MORINI CM 84E** is guaranteed for a period of **12 months** from the date of purchase. Within this period, **MORINI** will exchange, free of charge, all those parts that are defective or broken but not any parts damaged by normal wear and tear. This guarantee loses its validity if the pistol has been improperly treated, inexpertly repaired or altered in any way from the manufacturer's specification. A valid Guarantee Certificate will only be issued to the purchaser on receipt of the completed and dated Warranty Card, which should be returned to **MORINI COMPETITION S.A.** within 15 days of purchase or at www.morini.ch.

1. Switching-on the electronic trigger and battery check (*Fig. 1*)

1.1 *Switching the power on and checking the battery charge*

To turn power on, switch the lever (1) up. Check by pressing the button (2) if the battery and the electronic circuit are operating, indicated when the luminous diode comes on. The pistol is now ready for dry firing which takes place (without loading) each time the trigger is pulled. Battery life is estimated to be about 8000 firings.

1.2 *Battery test*

With the pistol switched-on, press the test button (2) and simultaneously complete 4 or 5 dry fires within about 2 seconds. If the luminous diode (3) lights up immediately after every dry fire, then the battery condition is still satisfactory.

1.3 *Replacing the battery*

Remove the cover plate (4) situated in the base of the grip. Fit a new battery paying attention to the polarity ("+" towards the barrel) and replace the cover plate, taking care that it is correctly fitted.

We suggest the use of those Battery types:

Varta Photo Special V74PX-15V
GP Alkaline 220A-15V
Leclanché Alkaline CEI10LR42 No. 780-15V

Duracell Alkaline MN154-15V
Kodak Photolife Alkaline KA74-15V
Eveready No. 504 Neda 220-15V

2. Loading and firing (*Fig. 2*)

2.1 Pull the breech (cocking) lever (1) firmly upwards to its top position, this is important as otherwise the firing pin will not be cocked, and push it down in to the loading position where the extractor is flush with the cartridge chamber.

2.2 Insert a .22 long rifle cartridge in to the chamber.

2.3 Close the breech (2) fully down using the cocking lever (1) paying attention that your trigger finger is clear of the optical sensor line (*Fig. 3 (2)*), otherwise the shot may be fired accidentally caused by the vibration during the loading procedure, especially if the trigger adjustment is set too fine. As a precaution, we advise that you turn-off the electronic before loading the pistol.

2.4 To fire the shot, pull the trigger. Always pay attention that your finger interrupts the optical sensor (*Fig. 3 (2)*).

2.5 Repeat procedure 3.1. Pulling the cocking lever up extracts the empty cartridge case and the pistol is ready for reloading.

2.6 If the cartridge has not been fired, turn-off the electronic before unloading the pistol.

2.7 After you have finished shooting, turn-off the electronics clean the pistol and keep it in the protective case provided.

3. Trigger adjustment (*Fig. 3*)

The trigger is set-up at the MORINI factory. However, the following adjustments are possible:

3.1 *Adjustment of the trigger weight*

Turning adjustment screw (1) clockwise increases the weight. Turning adjustment screw anti-clockwise reduces the weight.

CAUTION: See also 3.3.

3.2 *Adjustment of trigger position*

Unlock screw (3) and move the trigger to the desired position, then lock screw (3) again.

4. Sighting adjustment (Fig. 4)

4.1 Vertical adjustment

To move group on target **DOWN**, turn adjustment screw (1) clockwise.

4.2 Horizontal adjustment

To move group on target to the **RIGHT**, turn adjustment screw (2) clockwise.

4.3 Adjusting the width of the rear sight notch

Turning adjustment screw (3) clockwise will widen the rear sight opening by 0.1 mm every click.

5. Cleaning the pistol

5.1 Under no circumstances should spray oil or other cleaning fluids be used to clean the electronic mechanism including the trigger unit and optical sensors. Clean these parts using only a jet of compressed air.

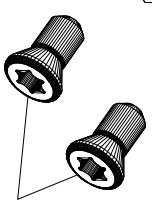
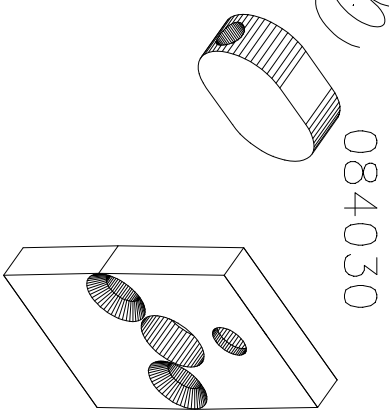
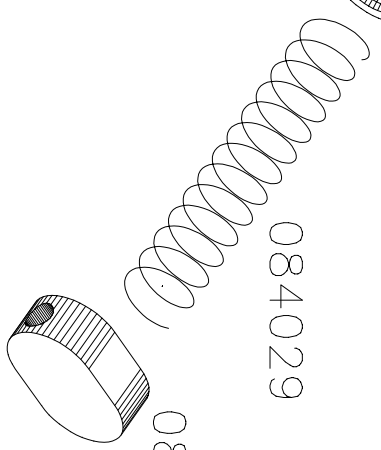
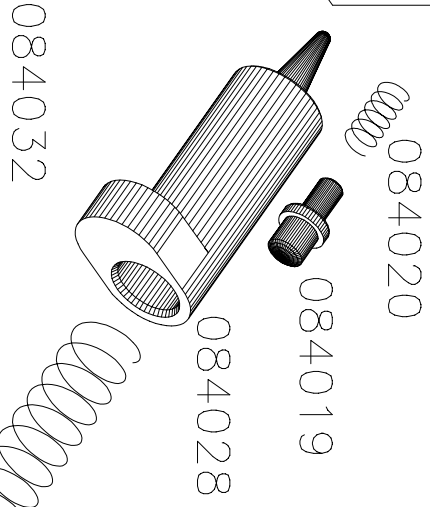
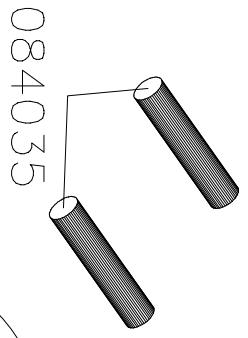
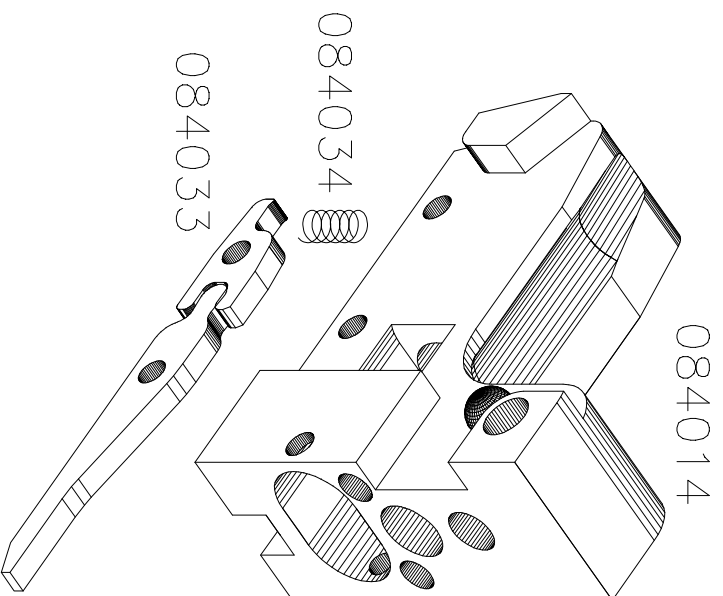
5.2 It is not necessary to dismantle the pistol for regular cleaning. When the breech is in the open ("loading") position, it is possible to clean the chamber and barrel by passing the cleaning rod provided through the opening in the grip coinciding with the aperture in the breech block (*Fig. 2 (3)*). In order to avoid dirt penetrating in to the trigger unit and mechanism, it is recommended that the pistol is rotated 180, with the grip base plate turned facing upwards, before using an air cleaner.

5.3 Dust may accumulate around the trigger and the optical sensors (*Fig. 3 (4) (2)*). This can be easily removed using an air cleaner on a regular basis.

FURTHER DISMANTLING SHOULD ONLY BE UNDERTAKEN BY AN APPROVED GUNSMITH, SPARE PART NUMBERS ARE SHOWN ON THE EXPLODED DRAWINGS IN THIS HANDBOOK.

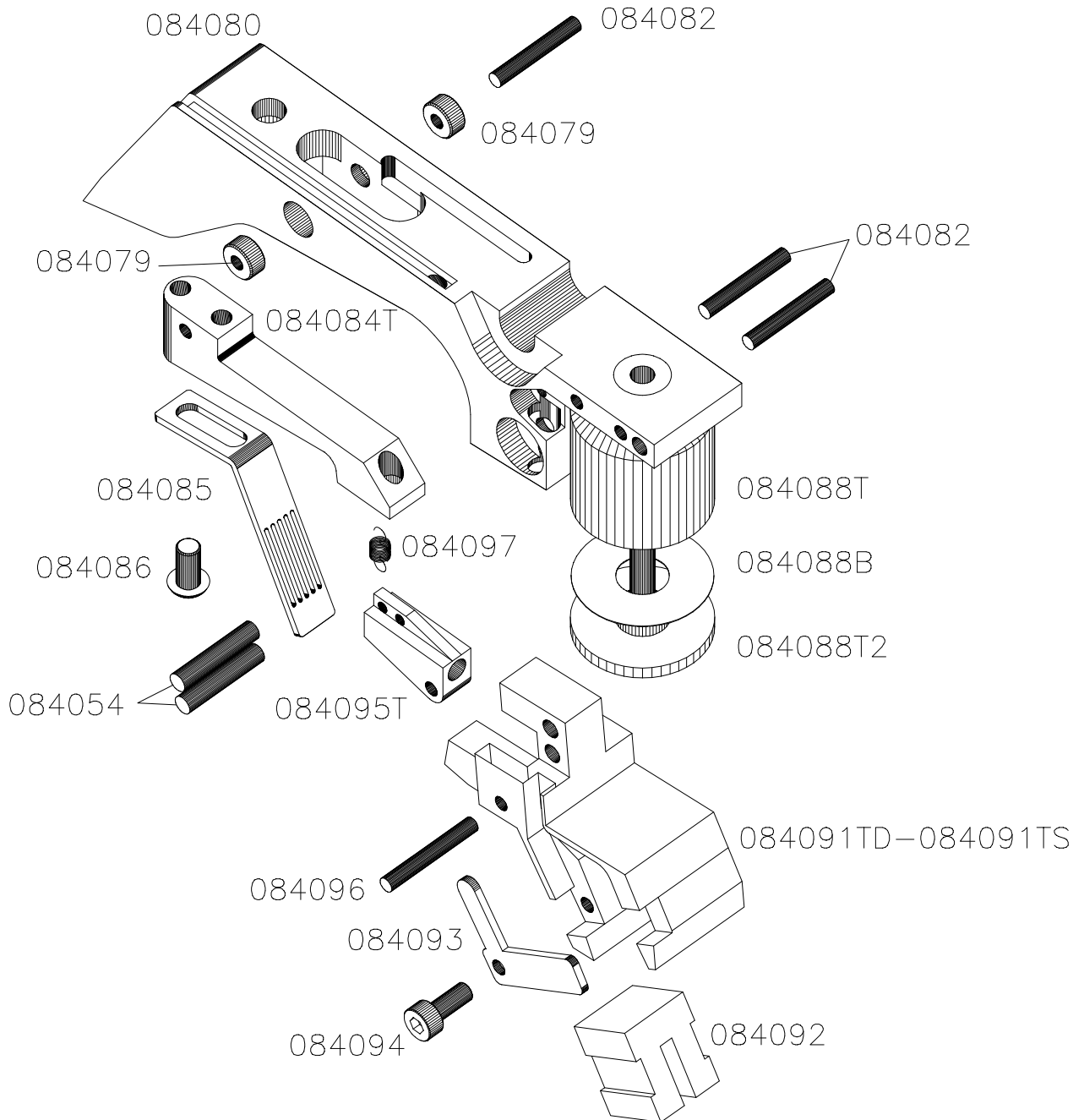
- SUBJECT TO CHANGE -

GM 84E

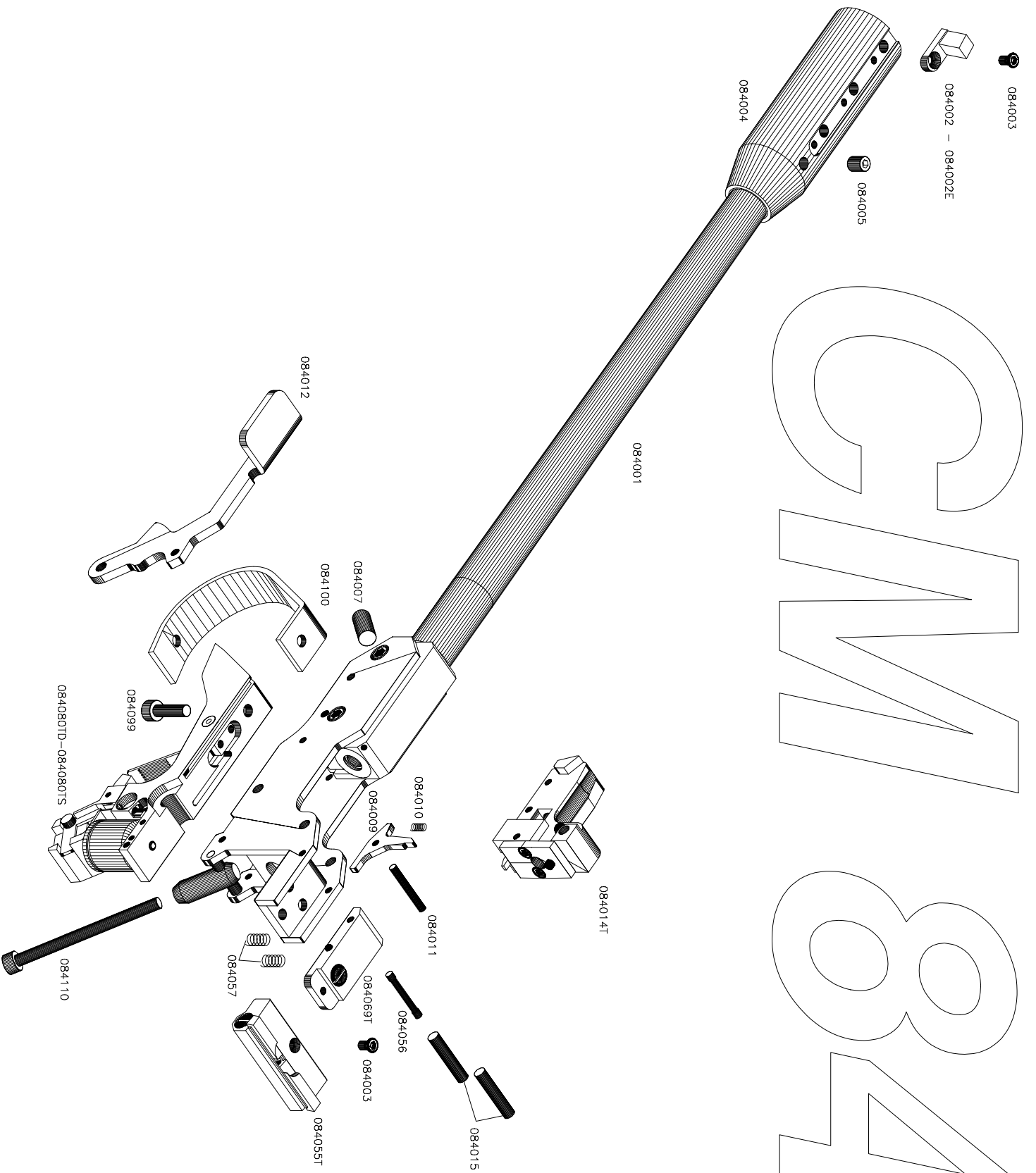


084003

CM 84E



GM 84E



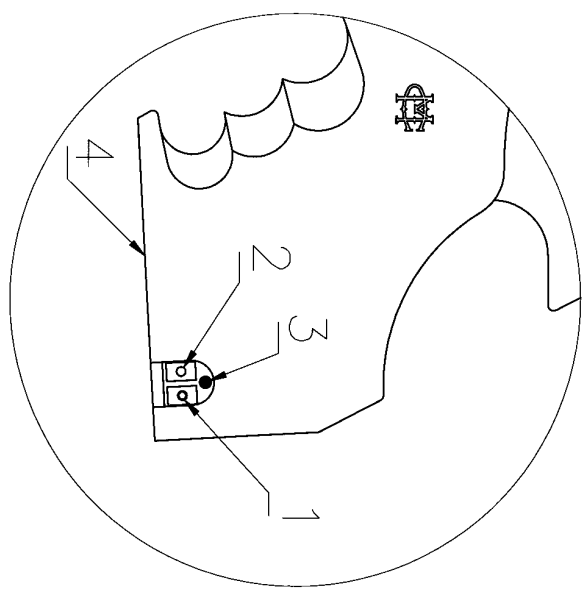
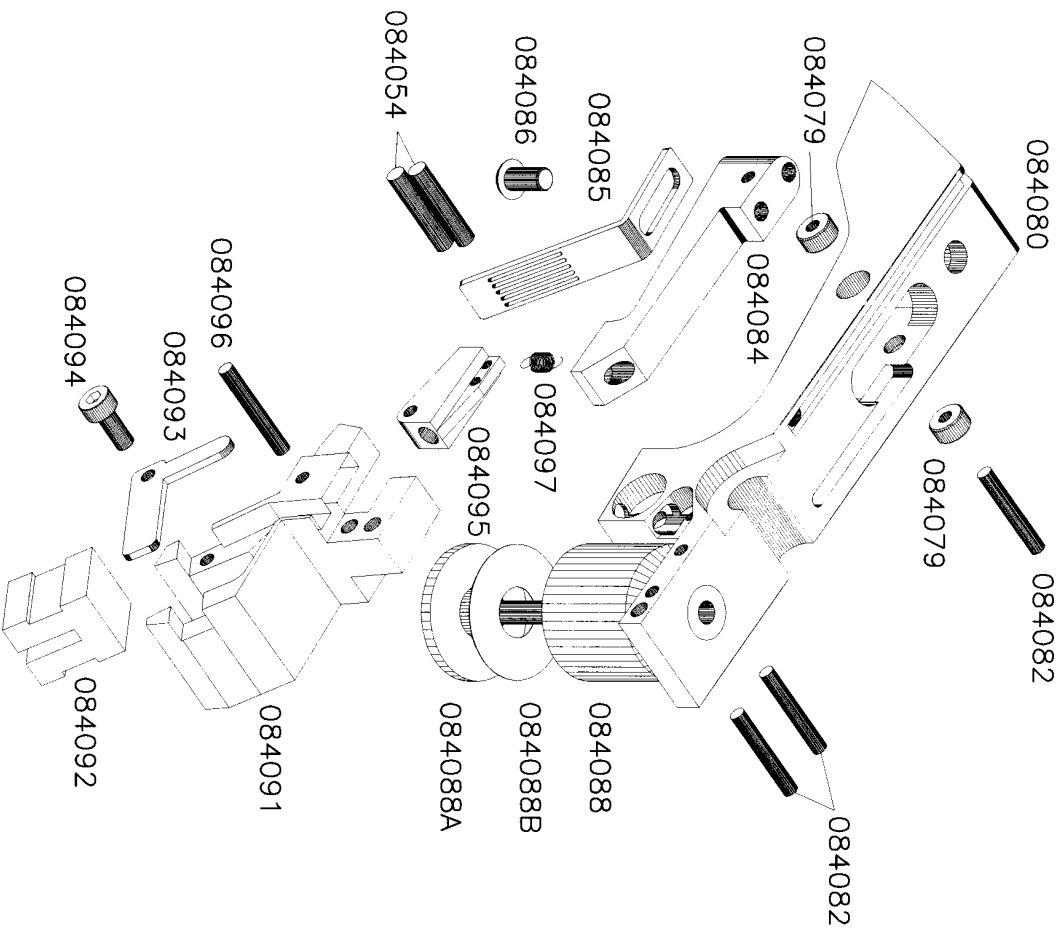


FIG. 1

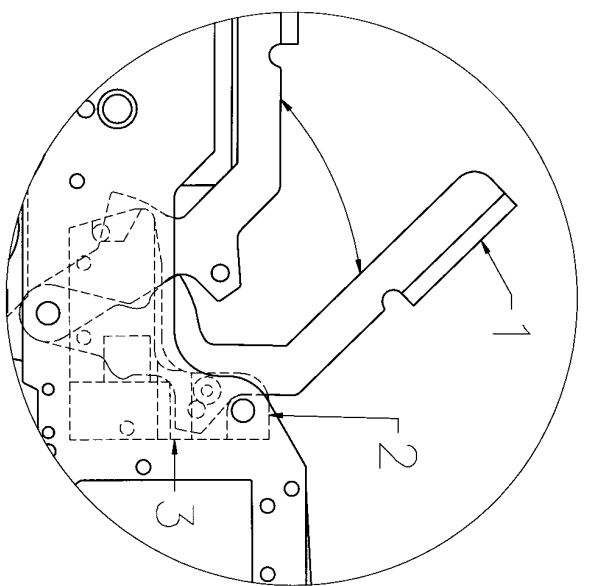


FIG. 2

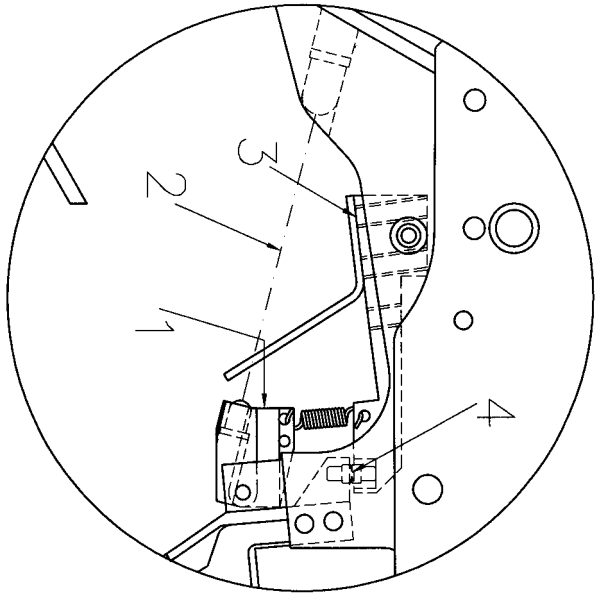


FIG. 3

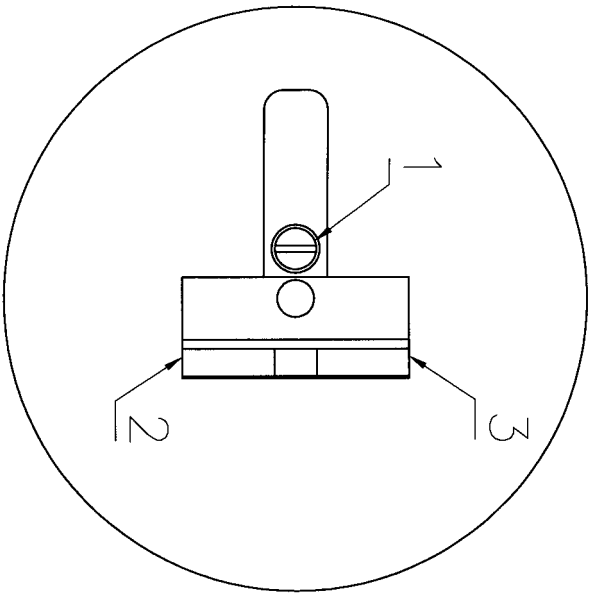


FIG. 4