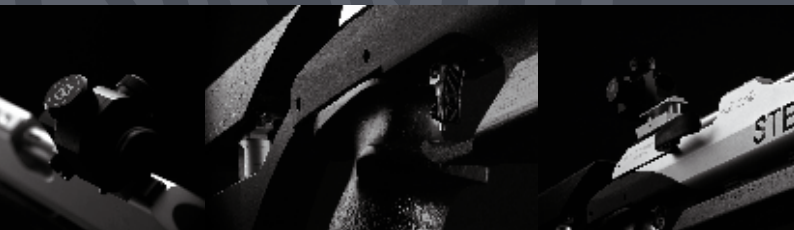


# LG 110

MATCH / CONNECT  
LIGHT / CONNECT  
BENCH REST / CONNECT  
FIELD TARGET / CONNECT  
HIGH POWER



Bedienungsanleitung  
Operator's manual  
Mode d'emploi  
Instrucciones de funcionamiento

**Attention:**

This operator's manual should be read carefully before using the pistol!

### Important measures when using arms:

All firearms are dangerous objects, they should be used and stored with utmost caution!

Always treat an unloaded weapon as if it were loaded. Never put your finger on the trigger, except when actually firing a shot. Always ensure that the weapon is pointing in a safe direction. Keeping the weapon in perfect condition ensures safety.

**Weapons always have to be stored out of the reach of unauthorized persons.**

## TABLE OF CONTENTS

<b>1</b>	<b>Technical Data .....</b>	<b>34</b>
<b>2</b>	<b>Assembly and Disassembly (for „Connect“ versions only) .....</b>	<b>35</b>
<b>3</b>	<b>Cocking, loading and shooting .....</b>	<b>36</b>
<b>4</b>	<b>Sight adjustment (not for FT / HP versions).....</b>	<b>36</b>
<b>5</b>	<b>Trigger adjustment .....</b>	<b>37</b>
5.1	First stage travel adjustment .....	37
5.2	First stage weight and single stage trigger adjustment.....	38
5.3	Second stage weight adjustment .....	39
5.4	Trigger blade adjustment.....	39
<b>6</b>	<b>Dry firing mechanism (not for FT / HP versions) .....</b>	<b>40</b>
<b>7</b>	<b>Adjusting the stock (not for HP version) .....</b>	<b>41</b>
7.1	Adjusting front stock (not for HP version) .....	41
7.2	Adjusting of grip (not for HP version) .....	42
7.3	Cheek piece adjustment (not for HP version) .....	43
7.4	Butt plate adjustment (not for HP version) .....	44
7.5	Pich adjustment (not for HP version) .....	45
<b>8</b>	<b>Replacing and refilling the compressed-air cylinder .....</b>	<b>46</b>
<b>9</b>	<b>Cleaning and care .....</b>	<b>46</b>
<b>10</b>	<b>Guarantee clauses .....</b>	<b>47</b>
<b>11</b>	<b>Parts list LG110 Match .....</b>	<b>49</b>
<b>12</b>	<b>Parts list LG110 FT .....</b>	<b>54</b>
<b>13</b>	<b>Parts list LG110 HP .....</b>	<b>58</b>

*FT = Field Target, HP = High Power*

## 1 TECHNICAL DATA

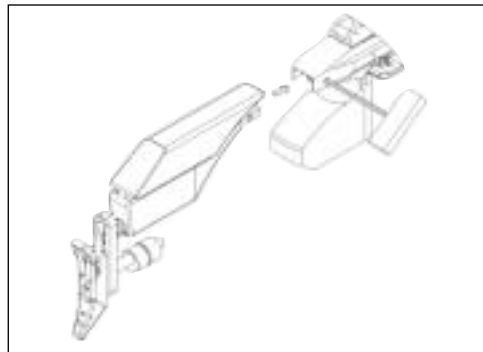
Caliber .....	4,5 mm (.177)
Overall height .....	165 mm - 225 mm (without sight)
.....	185 mm (HP)
Overall length .....	1110 mm - 1155 mm
.....	995 mm - 1040 mm (Light versions)
.....	875 mm - 930 mm (FT)
.....	890 mm (HP)
Overall width .....	58 mm
Sight length .....	von 740 mm - 880 mm
.....	625 mm - 765 mm (HP)
Barrel length .....	430 mm
.....	(450 mm at 16 Joule versions)
Total weight without additional weights and sight heights .....	appr. 4590 g
.....	appr. 4495 g (Light version)
.....	appr. 3800 g (FT)
.....	appr. 3180 g (HP)
Maximum filling pressure .....	200 bars
Power max .....	7,5 / 16 / 24 Joules

## 2 ASSEMBLY AND DISASSEMBLY (for „Connect“ versions only)

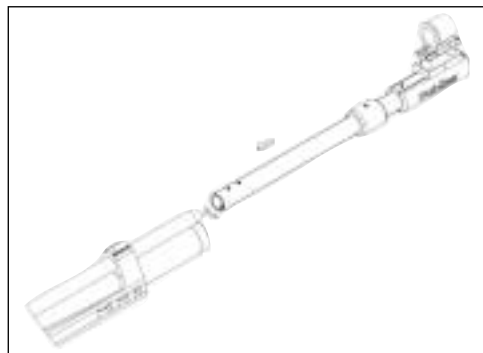
Take down into 3 parts, the LG 110 can easily be transported.

### Assembly

Insert the rear stock up to the stop of the stock and lock with Allen key.



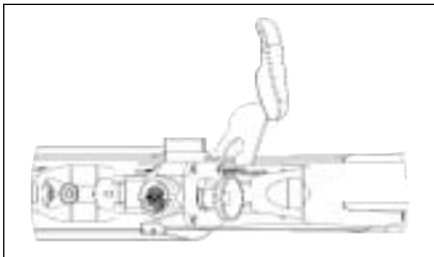
Push the barrel shroud against the spring pressure on the barrel and twist it into place against the bayonet lock.



### 3 COCKING, LOADING AND SHOOTING

Pull back the cocking lever all the way to the rear, this cocks the rifle and opens the loading port of the barrel.

Insert a pellet and fully close the cocking lever handle. The rifle is ready for firing.



### 4 SIGHT ADJUSTMENT (not for FT / HP versions)

The setscrews have to be turned on the rear sight as follows:

- High hit – turn height-adjusting knob direction „H“
- Low hit – turn height-adjusting knob direction „T“
- Right hit – turn side-adjusting knob in direction „R“
- Left hit – turn side-adjusting knob in direction „L“

The length of sight is individually adjustable by moving the rear sight and front sight tunnel. The rear and front sight are adjustable for lateral offset and height due to different distance discs. In addition it can be moved laterally up to 7 mm.

**Please note:** If adjustments of front and rear sight heights are at the maximum of 60 mm (middle of front sight to middle of barrel) the riser blocks of rear sight must be 2.75 mm (smallest additional disc) higher than front sight!

**Please note:** You must use the right length of screw, if too long of a screw is used, then surface of the housing will be damaged!

### 5 TRIGGER ADJUSTMENT

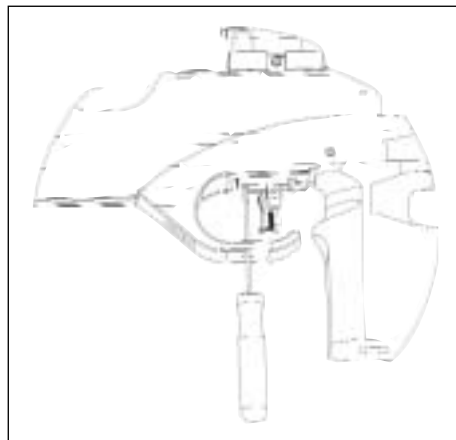
**Please note:** Before making any changes on the trigger, ensure that the weapon is unloaded!

The trigger has the following individual adjustments:

- First stage travel adjustment
- First stage weight and single stage trigger adjustment
- Second stage weight adjustment
- Trigger blade adjustment

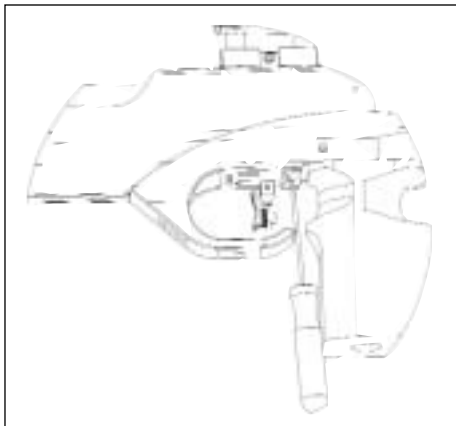
#### 5.1 First stage travel adjustment

- Turning the screw clockwise = shorter first stage travel
- Turning the screw counter-clockwise = longer first stage travel



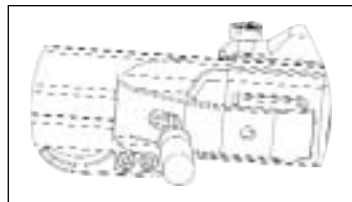
## 5.2 First stage weight and single stage trigger adjustment

Turning the screw clockwise = higher first stage pressure  
Turning the screw counter-clockwise = lower first stage pressure  
To get a single stage trigger, turn the screw counter-clockwise completely until first stage pressure is equal to zero.



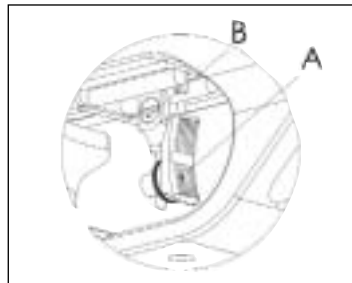
## 5.3 Second stage weight adjustment

Turning the screw clockwise = heavier second stage pull  
Turning the screw anti-clockwise = lighter second stage weight



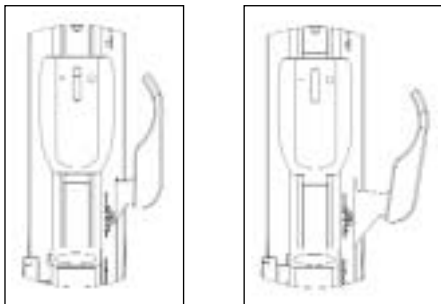
## 5.4 Trigger blade adjustment

Loosen countersunk screw A, the trigger blade may be moved in height and rotated.  
Loosen countersunk screw B, the trigger blade may be moved longitudinally and can be angled.



## 6 DRY FIRING MECHANISM (not for FT / HP versions)

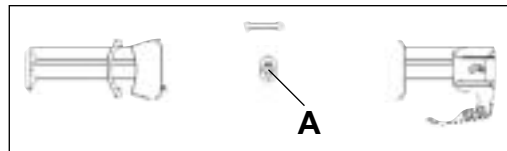
The cocking lever handle is pulled backwards to the stop and then be moved forward again until the first resistance is felt. If the rifle already cocked, the dry firing mechanism can be used by opening the cocking lever only.



## 7 ADJUSTING THE STOCK

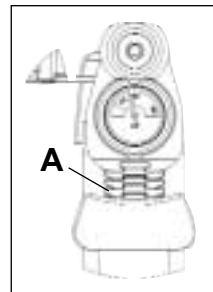
### 7.1 Adjusting front stock (not for HP version)

The front-stock can be moved in length and can be angled by opening screw A.



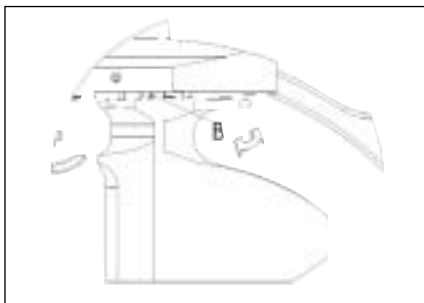
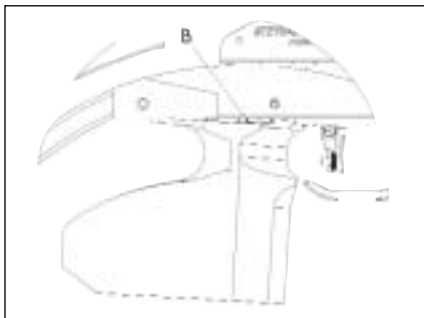
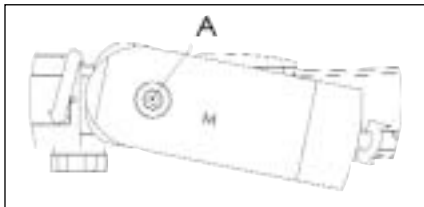
Adding or removing the spacers (A) will adjust the height.

**Please note:** You must use the right length of screw, if too long of a screw is used, then surface of the housing will be damaged!



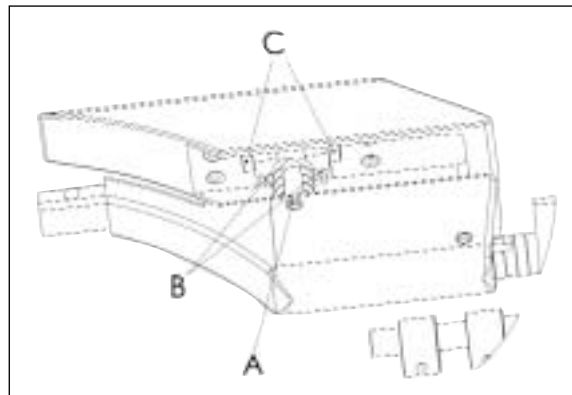
## 7.2 Adjusting of grip (not for HP version)

The grip can be moved in length by loosening screw A, turned and moved laterally. Additionally with grip set disc B the grip can be adjusted in angle.



## 7.3 Cheek piece adjustment (not for HP version)

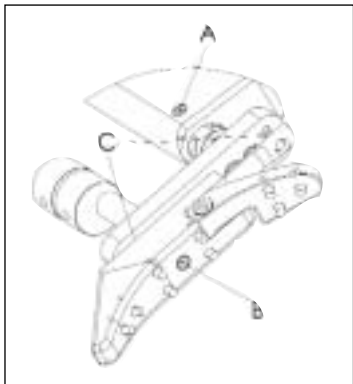
Screw A allows the cheek piece to be adjusted in height. Loosening screws B, the cheek piece can be moved laterally and turned. Loosening screw C, the cheek piece can be angled.



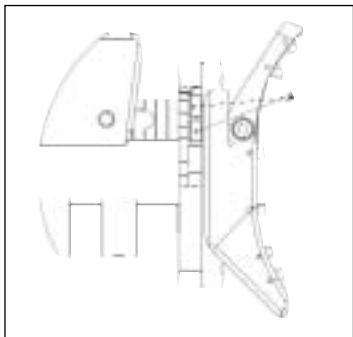


#### 7.4 Butt plate adjustment (not for HP version)

Screw A allows the butt plate to be moved in length. Screw B lets the butt plate be adjusted in height. After loosening screws C, the butt plate can be moved laterally.

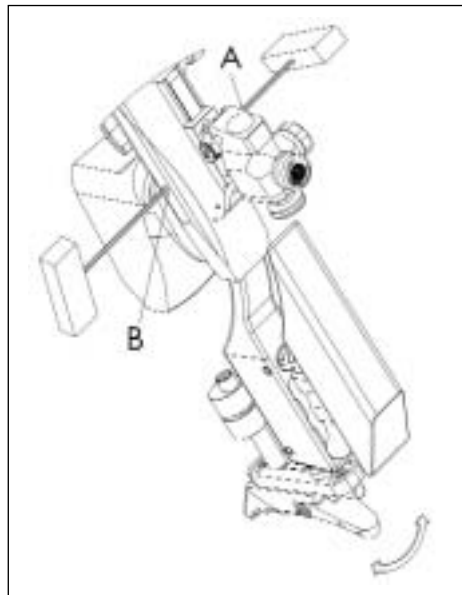


The plate of the butt plate can be adjusted in 2 different heights by loosening screws A. Additionally the plate can be adjusted in two different angles: 90° and 80°.



#### 7.5 Pitch adjustment (not for HP version)

By loosening screws A and B, the angle of the rear stock can be adjusted.



## 8 REPLACING AND REFILLING THE COMPRESSED-AIR CYLINDER

The legal requirements and rules of the respective country must be adhered to. Compressed-air cylinders have to be inspected after 10 years exclusively by the manufacturer. It is the responsibility of the customer to return the cylinder to the manufacturer. The compressed-air cylinder may be unscrewed and removed at any time without being emptied.

**WARNING! Do not tamper with compressed-air cylinder and valve. It may cause injury!**

The compressed-air cylinder is to be charged with a maximum filling pressure of 200 bar.

For recharging the cylinder proceed as follows:

- either mount the compressed-air cylinder on a recharging bottle
- or mount the compressed-air cylinder on a hand pump
- or mount the compressed-air cylinder on a compressor

## 9 CLEANING AND CARE

In standard use the weapon operates maintenance-free and no oiling is required.

The only maintenance required is to slightly grease the O-ring in the loading port and the O-ring at the threaded adapter socket for the compressed-air cylinder with a special lubricant (acid-free silicone grease) every 1000 shots. This will increase the service life of the O-rings.

To clean the barrel shoot some dry (**not greased**) felt pellets or cleaning strings through the barrel (available at your dealer).

## 10 GUARANTEE CLAUSES

If within two years from the day of purchase any cracks or breaks should occur on this weapon that are due to material failure we undertake repair the defective parts free of charge (except breakage or cracking of the stock or O-rings).

Guarantee will be given by either replacing or repairing the weapon or parts of it at our sole discretion. **The guarantee is only valid if the fully completed guarantee card is returned immediately after purchasing the weapon.**

**No guarantee claims will be accepted by the Steyr-Sportwaffen GmbH if:**

- a) the weapon has been damaged or destroyed by force majeure or environmental influences;
- b) in case of damages/defects having been caused by improper treatment, or handling or by lack of care.
- c) if the weapon has been repaired, machined or altered by any person or workshop other than an authorised Steyr Sportwaffen GmbH workshop.

**Claims for damages and product liability:**

No claims for direct or indirect damages will be accepted. Liability for material damages resulting from the product liability law, BGBL 99/1988, as well as any product liability claims that could be derived from other provisions are excluded.

The object of purchase warrants only that type of safety which may be expected in accordance with the homologation rules, service manual, manufacturer's instructions as well as any other pertinent information received.

The above clauses govern the full customer/manufacturer relationship with our company. Any additional claims, in particular for any kind of damages or losses caused by the weapon or its use, are excluded.

### Guaranteed Steyr Sportwaffen accuracy:

Our barrels are made from high quality barrel steel and are produced according to the latest findings in barrel production technology. Our weapons are well known for their outstanding accuracy. However, the accuracy of a weapon depends on several factors; one of the most important factors is the ammunition used. Not every ammunition "fits" every barrel equally good.

If you follow our suggestion, we guarantee that you will achieve outstanding accuracy with your new product.

To check precision with a clamped weapon, it is advisable to clamp the weapon around the area of the trigger guard.

### 11 PARTS LIST LG 110 MATCH

Item	Designation
1	Housing
2,1	Trigger unit
2	Weight cam
3	Sear catch link
4	Trigger carrier
5	Trigger housing
6	Sear
7	Adjusting screw
8	Pointed Allen head screw M6x8 DIN 553
9	Pressure spring
10	Pressure spring
11	Allen set screw M3x0,35x6x2,5 DIN 926
12	O-Ring 6x2
13	Allen head cap screw
14	Safety lever
15	Striker
16	Trigger blade
17	Cylinder for blade
18	Allen set screw M3x5 DIN 913
19	Allen set screw M3x3 DIN 913
20	Countersunk panhead screw M3x8 DIN 964
21	Bellview washer 10
22	Trigger post assy
24	O-Ring 2,9x1,8
25	Pressure spring
26	Adapter Plate
27	Rubber screw lock
28	Velocity screw
29	Draw spring
30	Draw spring
31	Torsion spring
32	O-Ring 24x2
33	Drift pin 3m6x24 DIN 6325
34	Drift pin 3m6x10 DIN 6325
35	Spring, coil 2x8-ST ISO 8748
36	Bevel pin mount 399804

Item	Designation
37	Allen set screw M5x8 DIN 913
38	Washer A3,2
39	Pressure spring
40	Valve complete
42	Countersunk screw M3x10-8,8-TORX-A2R
3,1	Bolt compl.
43	Bolt
44	Cocking roller
45	Stabilizer
46	Catch lever
47	Detent Ball 2mm III-ST - rostfrei
48	Drag ring
49	Pressure spring
50	Allen set screw M3x10 DIN 913
51	O-Ring 3x1,5
52	Drift pin 1,5m6x7 DIN 6325
53	O-Ring 5,28x1,78
54	Pressure spring
55	Allen head air passage screw
56	Barrel
57	Stock carrier
7,1	Stock compl.
7,2	Back stock compl.
7,3	Butt plate compl.
59	Butt plate
60	Upper support
61	Disc M5,3 A DIN 125
62	Hexagon nut ISO 4030-M5-5
63	Allen set screw M8x10-45H DIN 913
64	Rubber butt plate spikes
65	Drift pin 2m6x8 DIN 6325
66	Drift pin 2m6x12 DIN 6325
67	Allen head cap screw M5x16 10.9 A2R DIN 912
68	Butt plate rod
69	Allen head cap screw M5x12 DIN 912
70	Weight bar
71	Allen head cap screw M5x80 DIN 912

Item	Designation
72	Butt rod
73	Butt plate mount
7,6	Butt plate weight assy
74	Butt plate weight
75	Allen set screw M6x8
7,4	Cheek piece compl.
76	Cheek piece carrier
77	Cheek piece rod
78	Cheek piece
79	Thread insert M4
80	Allen head cap screw M4x12 DIN 912
81	Allen set screw M8x16 DIN 913
7,5	Stock weight compl.
82	Stock weight
83	O-Ring 18x2
8,1	Regulator complete
84	Regulator housing back
85	O-Ring 1,5x1
86	Adjusting screw
87	Guiding sleeve
88	Cover
89	Allen head cap screw M3,5
90	Regulator housing front
91	Regulator Piston compl.
93	O-Ring 8,92x1,83
94	Bellview washer 12,5
95	Screen
9,1	Compressed air cylinder compl.
96	Compressed air cylinder tube
97	O-Ring 8x1,65
9,2	Cylinder valve compl.
98	Valve Cover
99	O-Ring 7x2
100	Pressure spring
101	Cylinder valve
102	Supporting ring (brass)
103	Cylinder valve compl.

Item	Designation
105	O-Ring 24x2
9,4	Pressure gauge
10,1	Fore arm compl.
109	Fore arm
110	Sliding block
111	Spacer
112	Allen head cap screw M5x25 DIN 912
113	Spacer
114	Allen head cap screw M5x30 DIN 912
115	Allen head cap screw M5x18 DIN 912
116	Countersunk screw M3x14 DIN 7991
117	Bolt cover
118	Grip Rod
119	Allen set screw M5x5 DIN 913
120	Washer 5,3 DIN 9021
17,1	Front sight tunnel compl.
121	Plastic front sight
122	Front sight set screw
17,2	Front sight tunnel mounted
123	Front sight tunnel
124	Set disc 3,2
125	Screw M3x20
126	Clamp piece
18,1	Sight riser compl.
127	Base
128	Spacer 10,5 Spacer 5,5 Spacer 2,75
129	Counter sunk screw M4x25 DIN 7991 Counter sunk screw M4x20 DIN 7991 Counter sunk screw M4x16 DIN 7991 Counter sunk screw M4x12 DIN 7991
130	Sight rail
136	Allen wrench DIN 911
137	Clamp piece
19,1	Diopter compl.
143	Diopter disc

Item	Designation
144	Knurled knob
151	Clamping bolt
153	O-Ring 36x2
154	Drift pin 3m6x6 DIN 6325
155	Drift pin 3m6x14 DIN 6325
25,1	Cocking lever compl.
156	Cocking lever
157	Cocking lever handle
158	Screw EM 4x10
159	Pistol grip
160	Pistol grip angle adjusting disc
161	Stock adapter
162	Stock clamping piece
163	Grip rod mount
164	Allen set screw M5x6 DIN 913
32,1	Barrel cover weight compl.
165	Barrel cover weight
166	Stock cover
34,1	Barrel cover compl.
34,3	Barrel cover mounted
167	Barrel cover
168	Spring bracket
169	Pressure spring
170	Countersunk screw M3x5 DIN 965
171	Allen set screw M4x0,5
34,2	Muzzle extension compl.
172	Muzzle extension
173	Allen head cap screw M4x16 ISO 4762
36,1	Barrel weight compl.
174	Barrel weight
175	Drift pin M5x6 DIN 914
38,1	Fill Adapter compl.
176	Fill Adapter
177	O-Ring 13x2
178	O-Ring 4x1,5

## 12 PARTS LIST LG 110 FIELD TARGET

Item	Designation
1	Housing
2,1	Trigger unit
2	Weight cam
3	Sear catch link
4	Trigger carrier
5	Trigger housing
6	Sear
7	Adjusting screw
8	Pointed Allen head screw M6x8 DIN 553
9	Pressure spring
10	Pressure spring
11	Allen set screw M3x0,35x6x2,5 DIN 926
12	O-Ring 6x2
13	Allen head cap screw
14	Safety lever
15	Striker
16	Trigger blade
17	Cylinder for blade
18	Allen set screw M3x5 DIN 913
19	Allen set screw M3x3 DIN 913
20	Countersunk panhead screw M3x8 DIN 964
21	Bellview washer 10
22	Trigger post assy
24	O-Ring 2,9x1,8
25	Pressure spring
26	Adapter Plate
27	Rubber screw lock
28	Velocity screw
29	Draw spring
30	Draw spring
31	Torsion spring
32	O-Ring 24x2
33	Drift pin 3m6x24 DIN 6325
34	Drift pin 3m6x10 DIN 6325
35	Spring , coil 2x8-ST ISO 8748
36	Bevel pin mount 399804

Item	Designation
37	Allen set screw M5x8 DIN 913
38	Washer A3,2
39	Pressure spring
40	Valve complete
42	Countersunk screw M3x10-8,8-TORX-A2R
3,1	Bolt compl.
43	Bolt
44	Cocking roller
45	Stabilizer
46	Catch lever
47	Detent Ball 2mm III-ST - rostfrei
48	Drag ring
49	Pressure spring
50	Allen set screw M3x10 DIN 913
51	O-Ring 3x1,5
52	Drift pin 1,5m6x7 DIN 6325
53	O-Ring 5,28x1,78
54	Pressure spring
55	Allen head air passage screw
56	Barrel 16 Joule Barrel 24 Joule
57	Stock carrier
7,1	Stock complete
7,2	Back stock compl.
7,3	Butt plate compl.
59	Butt plate
60	Upper support
61	Disc M5,3 A DIN 125
62	Hexagon nut ISO 4030-M5-5
63	Allen set screw M8x10-45H DIN 913
64	Rubber butt plate spikes
65	Drift pin 2m6x8 DIN 6325
66	Drift pin 2m6x12 DIN 6325
67	Allen head cap screw M5x16 10,9 A2R DIN 912
68	Butt plate rod
69	Allen head cap screw M5x12 DIN 912

Item	Designation
70	Weight bar
71	Allen head cap screw M5x80 DIN 912
72	Butt rod
73	Butt plate mount
7,6	Butt plate weight assy
74	Butt plate weight
75	Allen set screw M6x8
7,4	Cheek piece compl.
76	Cheek piece carrier
77	Cheek piece rod
78	Cheek piece
79	Thread insert M4
80	Allen head cap screw M4x12 DIN 912
81	Allen set screw M8x16 DIN 913
8,1	Regulator complete
84	Regulator housing back
85	O-Ring 1,5x1
86	Adjusting screw
87	Guiding sleeve
88	Cover
89	Allen head cap screw M3,5
90	Regulator housing LG 100 front
91	Regulator Piston compl.
93	O-Ring 8,92x1,83
94	Bellview washer 12,5
95	Screen
9,1	Compressed air cylinder compl.
96	Compressed air cylinder tube
97	O-Ring 8x1,65
9,2	Cylinder valve compl.
98	Valve Cover
99	O-Ring 7x2
100	Pressure spring
101	Cylinder valve
102	Supporting ring (brass)
103	Cylinder valve compl.
105	O-Ring 24x2

Item	Designation
9,4	Pressure gauge
10,1	Fore arm compl.
109	Fore arm
110	Sliding block
111	Spacer
112	Allen head cap screw M5x25 DIN 912
113	Spacer
114	Allen head cap screw M5x30 DIN 912
115	Allen head cap screw M5x18 DIN 912
116	Countersunk screw M3x14 DIN 7991
117	Bolt cover
118	Grip Rod
119	Allen set screw M5x5 DIN 913
120	Washer 5,3 DIN 9021
153	O-Ring 36x2
154	Parralel pin
155	Drift pin 3m6x14 DIN 6325
25,1	Cocking lever compl.
156	Cocking lever
157	Cocking lever handle
158	Screw EM 4x10
159	Pistol grip
160	Pistol grip angle adjusting disc
161	Stock adapter
162	Stock clamping piece
163	Grip rod mount
164	Allen set screw M5x6 DIN 913
166	Trigger guard cover
173	Allen head cap screw M4x16 ISO 4762
38,1	Fill Adapter compl.
176	Adapter
177	O-Ring 13x2
178	O-Ring 4x1,5
179	Drift pin 2m6x6 DIN 6325

### 13 PARTS LIST LG 110 HIGH POWER

Item	Designation
1	Housing
2,1	Trigger unit
2	weight cam
3	Sear catch link
4	Trigger carrier
5	Trigger housing
6	Sear
7	Adjusting screw
8	Pointed Allen head screw M6x8 DIN 553
9	Pressure spring
10	Pressure spring
11	Allen set screw M3x0,35x6x2,5 DIN 926
12	O-Ring 6x2
13	Allen head cap screw
14	Safety lever
15	Striker
24	O-Ring 2,9x1,8
25	Pressure spring
26	Adapter Plate
27	Rubber screw lock
28	Velocity screw
29	Draw spring
30	Draw spring
31	Torsion spring
32	O-Ring 24x2
33	Drift pin 3m6x24 DIN 6325
34	Drift pin 3m6x10 DIN 6325
35	Spring , coil 2x8-ST ISO 8748
36	Bevel pin mount 399804
37	Allen set screw M5x8 DIN 913
38	Washer A3,2
39	Pressure spring
40	Valve complete
42	Countersunk screw M3x10-8,8-TORX-A2R
3,1	Bolt compl.
43	Bolt

Item	Designation
44	Cocking roller
45	Stabilizer
46	Catch lever
47	Detent Ball 2mm III-ST - rostfrei
48	Drag ring
49	Pressure spring
50	Allen set screw M3x10 DIN 913
51	O-Ring 3x1,5
52	Drift pin 1,5m6x7 Din 6325
53	O-Ring 5,28x1,78
54	Pressure spring
55	Allen head air passage screw
56	Barrel 16 Joule
	Barrel 24 Joule
7,1	Stock complete
8,1	Regulator complete
84	Regulator housing back
85	O-Ring 1,5x1
86	Adjusting screw
87	Guiding sleeve
88	Cover
89	Allen head cap screw M3,5
90	Regulator housing front
91	Regulator Piston compl.
93	O-Ring 8,92x1,83
94	bellview washer 12,5
95	Screen
9,1	compressed air cylinder compl.
96	compressed air cylinder tube
97	O-Ring 8x1,65
9,2	Cylinder valve compl.
98	Valve Cover
99	O-Ring 7x2
100	Pressure spring
101	Cylinder valve
102	Supporting ring (brass)



<b>Item</b>	<b>Designation</b>
103	Cylinder valve compl.
105	O-Ring 24x2
9,4	Pressure gauge
116	Countersunk screw M3x14 DIN 7991
117	Bolt cover
119	Threaded pin M5x5 DIN 913
153	O-Ring 36x2
25,1	Cocking lever compl.
156	Cocking lever
157	Cocking lever handle
158	Screw EM 4x10
166	trigger guard cover
173	Allen head cap screw M4x16 ISO 4762
38,1	Fill Adapter compl.
176	Fill Adapter
177	O-Ring 13x2
179	Drift pin 2m6x6 DIN 6325
180	Trigger blade
182	Hexagon nut
184	Stock HP
185	Allen head cap screw M5x80 DIN 912 8,8
186	Washer M5,3 A DIN 125 140HV